



## LED Lighted Bumper Kit Installation Instructions - Stampede® & Stampede® VXL Covers Part #3694

### Kit contents:

- Front bumper assembly
- Front bumper mount
- Rear bumper assembly
- Power Y-harness
- 3x12mm button-head cap screw (BCS) (3)
- 3x40mm button-head cap screw (BCS) (1)
- 4x12mm countersunk cap screw (CCS) (4)

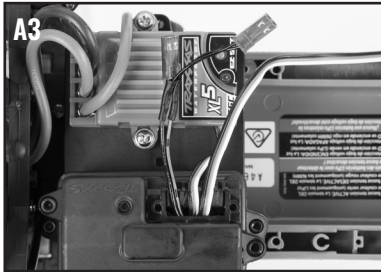
- 3x30mm button-head cap screw (BCS) (1)
- 4x22mm button-head cap screw (BCS) (2)
- Zip ties (2)

### Tools required:

- 2mm hex wrench
- 2.5mm hex wrench
- Phillips screwdriver
- Silicone grease

### A. POWER WIRE HARNESS INSTALLATION

- A1. Remove the wire clamp by removing the two 2.5x8mm CS (Fig 1).
- A2. Remove the receiver box cover by removing the two 3x10mm CS (Fig 1).
- A3. Route the power Y-harness into the receiver box and plug it into any open channel on the receiver. Position the power Y-harness in a wire guide of the receiver box.



- A4. Apply a small bead of silicone grease (part #1647, sold separately) to the wire clamp foam. Install the wire clamp and tighten the two 2.5x8mm CS securely. **Note:** Make sure not to pinch the wires in the clamp.

- A5. Make sure the blue O-ring seal (Fig 1) is properly seated in the groove in the receiver box so that the cover will not pinch it or damage it in any way.

- A6. Reinstall the cover on the receiver box and tighten the two 3x10mm CS securely. Inspect the cover to make sure that the O-ring seal is not visible.

FIG 1.

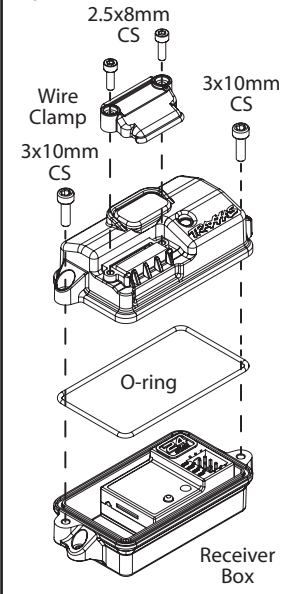
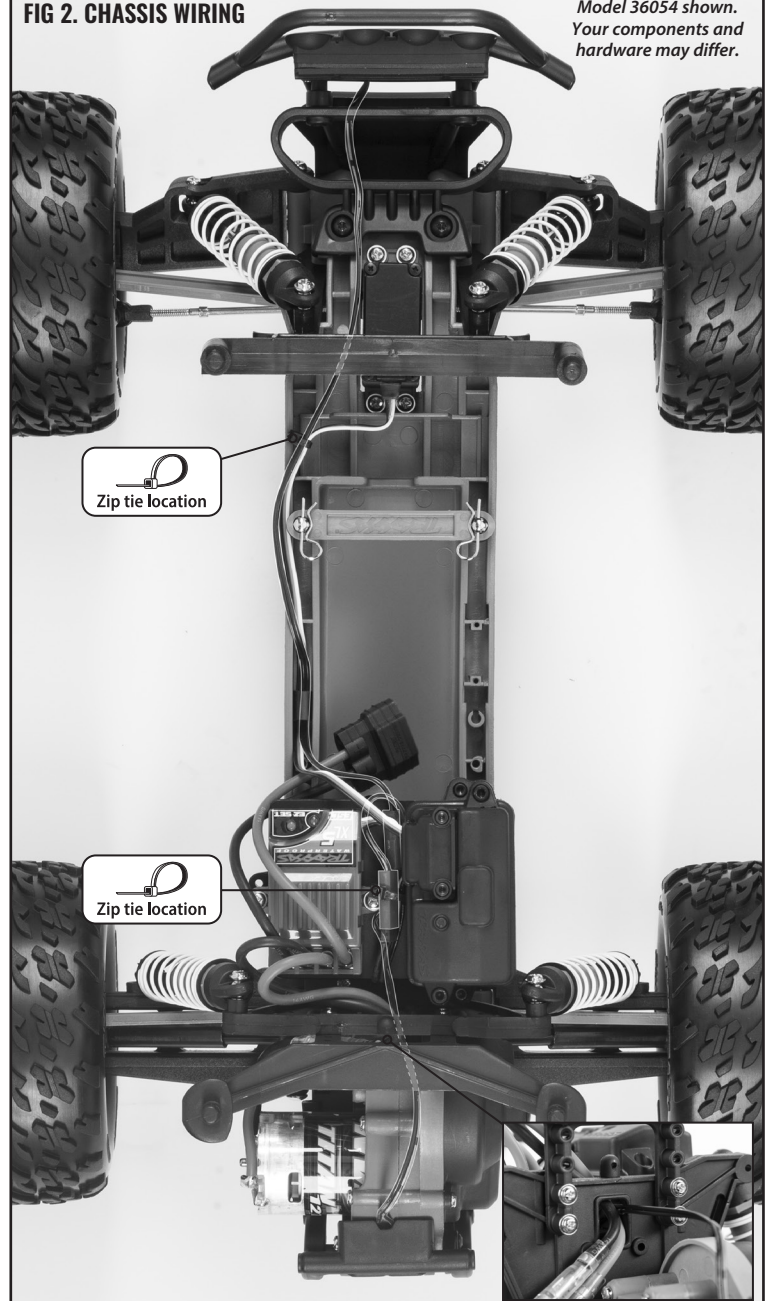


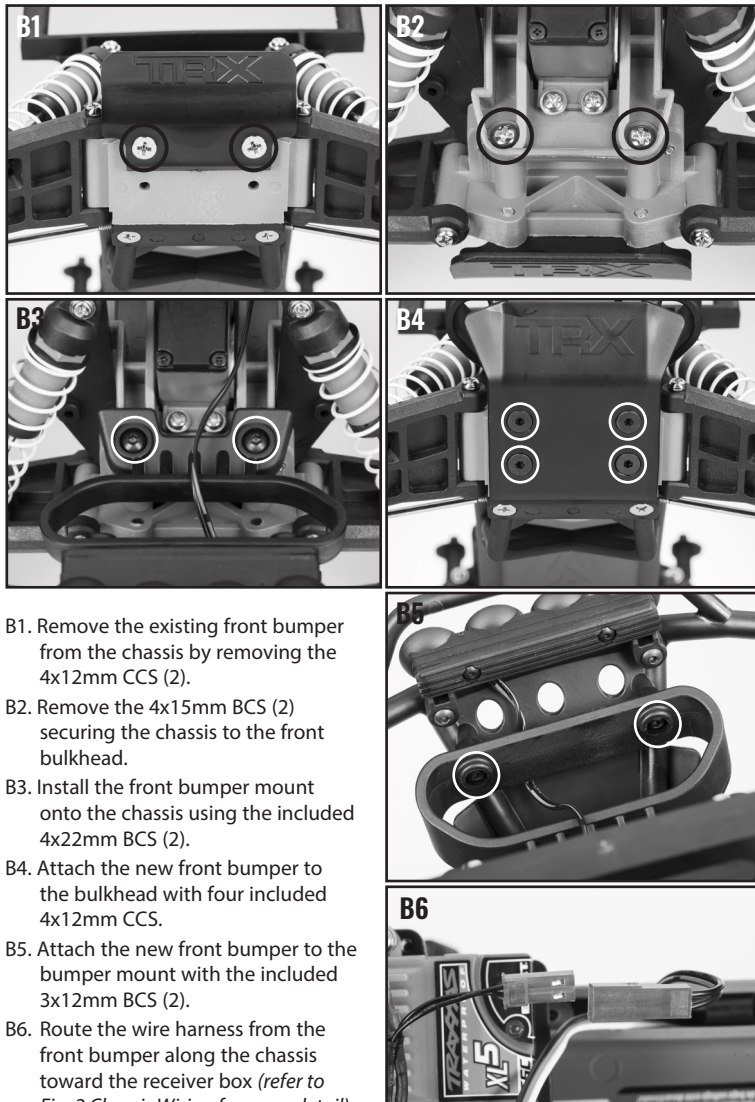
FIG 2. CHASSIS WIRING

Model 36054 shown. Your components and hardware may differ.



### B. FRONT BUMPER AND HEADLIGHTS INSTALLATION

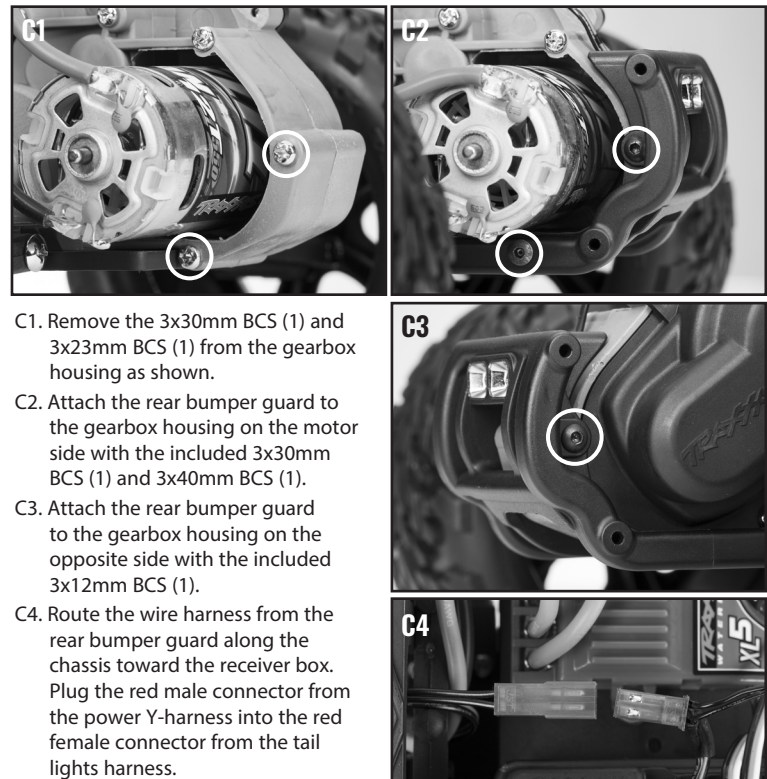
Model 36054 shown. Your components and hardware may differ.



- B1. Remove the existing front bumper from the chassis by removing the 4x12mm CCS (2).
- B2. Remove the 4x15mm BCS (2) securing the chassis to the front bulkhead.
- B3. Install the front bumper mount onto the chassis using the included 4x22mm BCS (2).
- B4. Attach the new front bumper to the bulkhead with four included 4x12mm CCS.
- B5. Attach the new front bumper to the bumper mount with the included 3x12mm BCS (2).
- B6. Route the wire harness from the front bumper along the chassis toward the receiver box (refer to Fig. 2 Chassis Wiring for more detail). Plug the red male connector from the power Y-harness into the red female connector from the headlights harness.
- B7. Use the included zip tie (1) to secure the harness to the chassis (refer to Fig. 2 Chassis Wiring for more detail).

### C. REAR BUMPER GUARD AND TAIL LIGHTS INSTALLATION

Model 36054 shown. Your components and hardware may differ.



- C1. Remove the 3x30mm BCS (1) and 3x23mm BCS (1) from the gearbox housing as shown.
- C2. Attach the rear bumper guard to the gearbox housing on the motor side with the included 3x30mm BCS (1) and 3x40mm BCS (1).
- C3. Attach the rear bumper guard to the gearbox housing on the opposite side with the included 3x12mm BCS (1).
- C4. Route the wire harness from the rear bumper guard along the chassis toward the receiver box. Plug the red male connector from the power Y-harness into the red female connector from the tail lights harness.
- C5. Use the included zip tie (1) to secure the harness to the chassis (refer to Fig. 2 Chassis Wiring for more detail).

If you have questions or need technical assistance, call Traxxas at

**1-888-TRAXXAS**

(1-888-872-9927) (U.S. residents only)